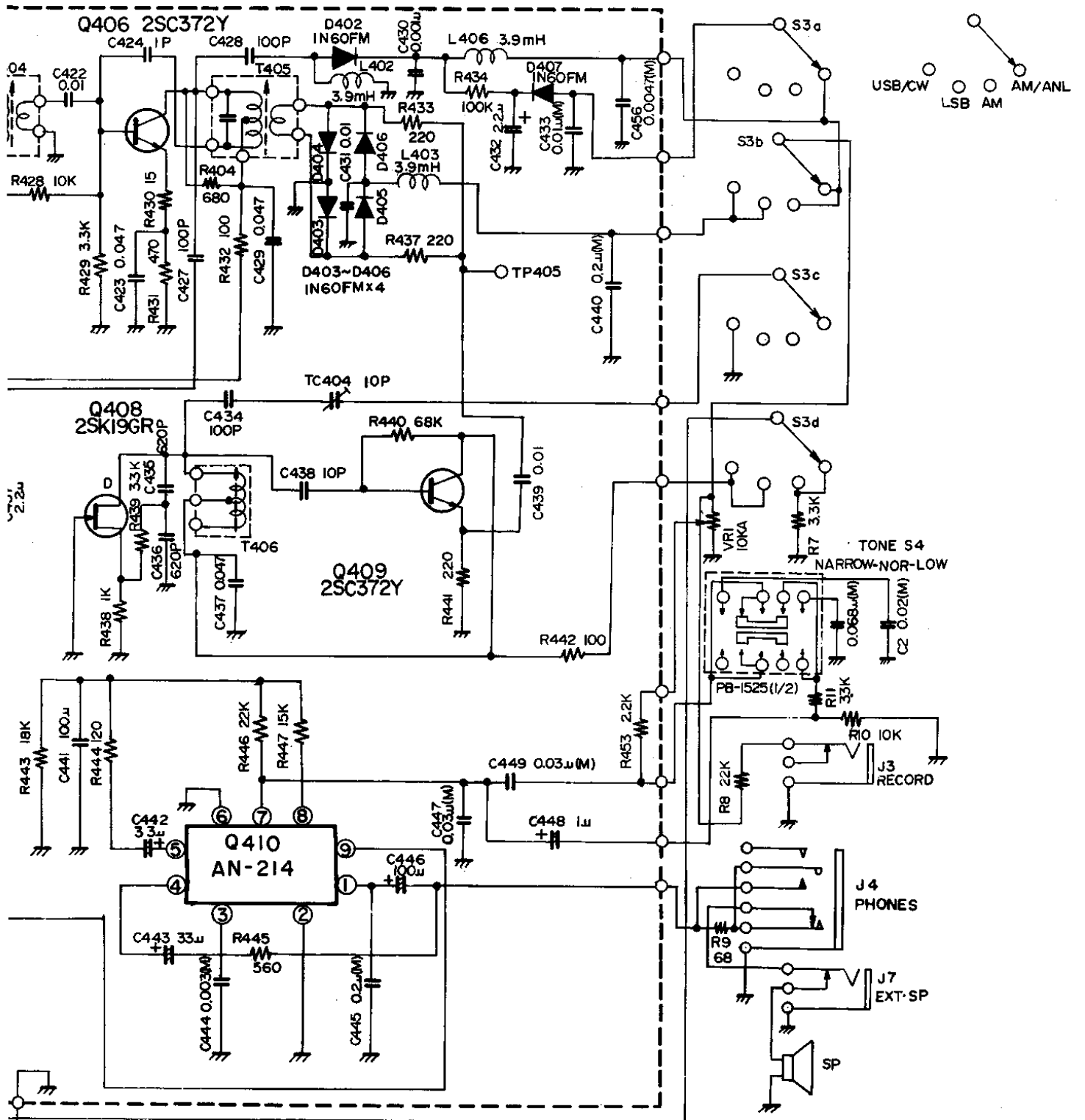


**NOTE**  
 1 ALL RESISTORS ARE IN 1/4W UNLESS OTHERWISE  
 2 ALL CAPACITORS ARE IN µF UNLESS OTHERWISE  
 3 ALL ELECTROLYTIC CAPACITORS ARE 16WV  
 UNLESS OTHERWISE NOTED.



**NOTE**

- 1 ALL RESISTORS ARE IN 1/4W UNLESS OTHERWISE NOTED.
- 2 ALL CAPACITORS ARE IN μF UNLESS OTHERWISE NOTED.
- 3 ALL ELECTROLYTIC CAPACITORS ARE 16WV UNLESS OTHERWISE NOTED.

**FRG-7**  
**CIRCUIT DIAGRAM**

Scanned by IW1AXR  
Downloaded by Amateur Radio Directory